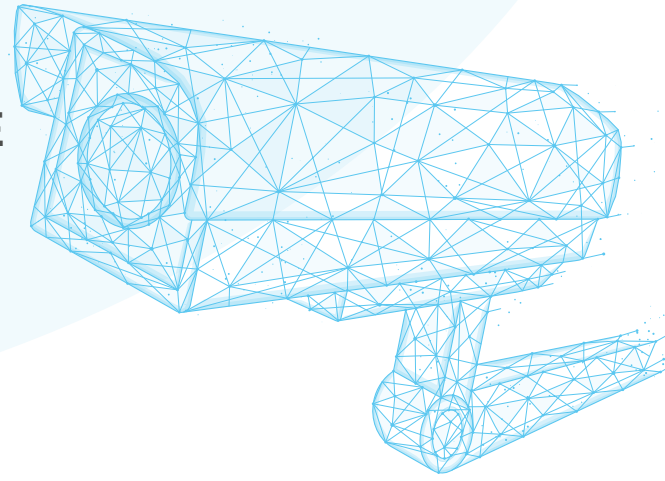


BRINGING IT STANDARDS TO THE REALM OF PHYSICAL SECURITY

Consolidate, Automate & Secure your Connected Devices.



SecuriThings is redefining the way organizations manage and secure IoT devices at scale. The Horizon platform provides real-time security and operational efficiency to improve system availability, organizational compliance, and cyber protection while reducing costs and streamlining future planning. Our advanced technology enables automation, analytics and actionable alerts so your fleet of IoT devices is fully operational and secure. The power, depth and breadth of our capabilities only take one day to deploy, remotely.

The solution is trusted by Fortune 100 companies and has been deployed by numerous large enterprises such as major airports, universities, hospitals and more. SecuriThings partners with key system integrators as well as device manufacturers to provide unprecedented insights, coverage, and reliability.

EMPOWERING IOTOPS THROUGH AUTOMATION

Gain the visibility and control of all your IoT devices and the power to respond rapidly whenever necessary, whether remotely or on site.



Improved system availability

Minimize device downtime. Get real-time data on device status and manage operational issues whenever they arise.



Significant cost savings

Reduction of manual labor and on-site visits as well as other expenses related to managing IoT devices. Diagnose and resolve all issues, in one centralized platform.



Ensuring compliance

Ensure full organizational compliance supporting implementation of internal policies and legal regulations.



Protection from cyber threats

Prevent security vulnerabilities from compromising your IoT devices. Automate crucial maintenance steps such as rotating a password or upgrading firmware and leverage advanced analytical capabilities to detect abnormal behaviors.



Visibility for future planning

Evaluate the health status of each device. Predict edge device issues that have yet to arise, plan for device end of life and prioritize your maintenance activities accordingly.

COMPREHENSIVE, SECURE, AND SCALABLE MANAGEMENT OF IOT OPERATIONS

The **Horizon Platform** provides a comprehensive and scalable solution to managing all of your devices automatically.



Risk Detection

Get cyber visibility powered by machine learning, to detect and mitigate vulnerabilities and threats across all IoT devices.



Automated Operations

Streamline the operational management of all IoT devices. Remotely upgrade, restart firmware, rotate passwords, and perform other device operations automatically.



Smart Alerts

Receive automated alerts in case a device malfunctions, goes offline, or encounters other expected or unexpected issues.



Predictive Maintenance

Plan ahead, with real-time visibility and insights on each IoT device. Horizon monitors the health status (CPU, RAM, temperature, storage, etc.), end of life, firmware versions as well as any deviation that may occur over time.



Collaboration

Complete ecosystem of technology integrations—from ticketing management to SIEM support. Automate incident management with out-of-the-box integrations such as ServiceNow, Splunk, Jira and more.



Managed SOC Services

Get advanced investigation and analysis as a service by a professional Security Operations Center (SOC) team. This includes:

- continual monitoring of device & site performance,
- automated password rotation & firmware upgrades,
- real-time device operational status & metrics,
- alert prioritization & classification,
- and detailed compliance reports.



Enhancing IoT Device Management Across all Industries

- Corporate campuses & buildings
- Financial institutions
- Transportation and aviation
- Government
- Retail
- Healthcare
- Manufacturing
- Educational campuses
- Casinos

For more information,
please contact us at info@securithings.com.